

---

# Installation guide

Discreet bass enhancer

# ALF40



*amino*®  
THE INVISIBLE SPEAKER CO.

---

# Caution: Read this before operating your unit

1. To ensure optimal performance, please read this guide carefully and keep in a safe place for future reference.
2. Install this product in a cool, dry, clean place - away from direct sunlight and heat sources, vibration, dust and moisture.
3. Do not expose this unit to sudden temperature changes or locate it in an environment with high humidity. This is to prevent condensation forming inside which may cause damage to the unit.
4. Do not clean this unit with chemical solvents as this may damage the finish. Use a clean, dry or damp cloth.
5. Do not attempt to modify or repair the unit. Contact your distributor or manufacturer if a fault should occur.
6. Ensure that any fixing structures will support the weight of this product.



WARNING:

*No attempt should be made to install this product within existing building structures unless you are certain no electric cables, water pipes, gas pipes or supporting joists will be cut through.*

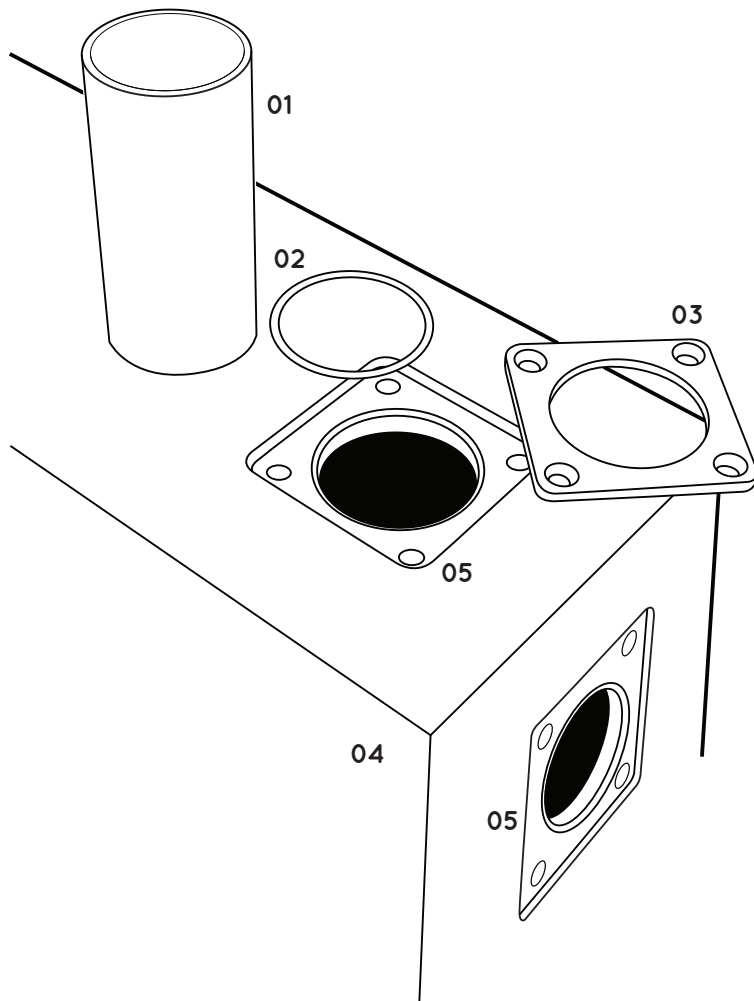
---

## Contents

Included in the carton .....	1
Using the Adjustable Port System.....	2
Positioning the ALF40 .....	4
Positioning the ALF40 (Diagram).....	5
Using the supplied Port Trim .....	6
Connection Options (Passive 2.1) .....	7
Connection Options (Passive 2.2) .....	8
Connection Options (Active 2.1) .....	9
Connection Options (Active 2.2).....	10
Spring Terminals.....	11
Setup Tips.....	11
Specifications .....	12
Limited Warranty:.....	12
Dimensions.....	13

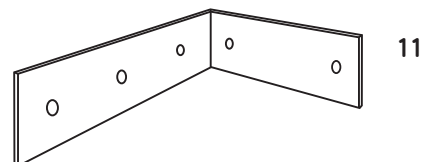
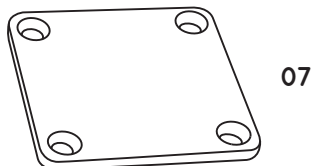
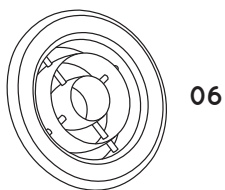
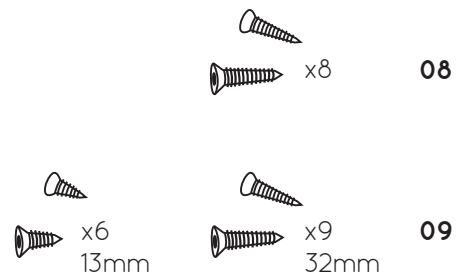
---

## Included in the carton



### Parts:

- |    |   |
|----|---|
| 01 | Port x1   |
| 02 | Rubber o-ring x1  |
| 03 | Port Plate x1   |
| 04 | Cabinet x1  |
| 05 | Port opening x2   |
| 06 | Port Trim x1  |
| 07 | Blanking Plate x1   |
| 08 | Port Plate and Blanking Plate Screws x8                     |
| 09 | Fixing Screws (6x 13mm for cabinet. 9x 32 mm for joist etc) |
| 10 | Rubber feet x4  |
| 11 | Bracket x3  |



Please contact your dealer if any of the above parts are missing or you require spares.

**WARNING: TAKE CARE NOT DROP OBJECTS THROUGH THE PORT HOLES AND INTO THE ALF40 ENCLOSURE.**

---

## Using the Adjustable Port System

The ALF40 features a unique port system allowing for greater flexibility when positioning and concealing the product.

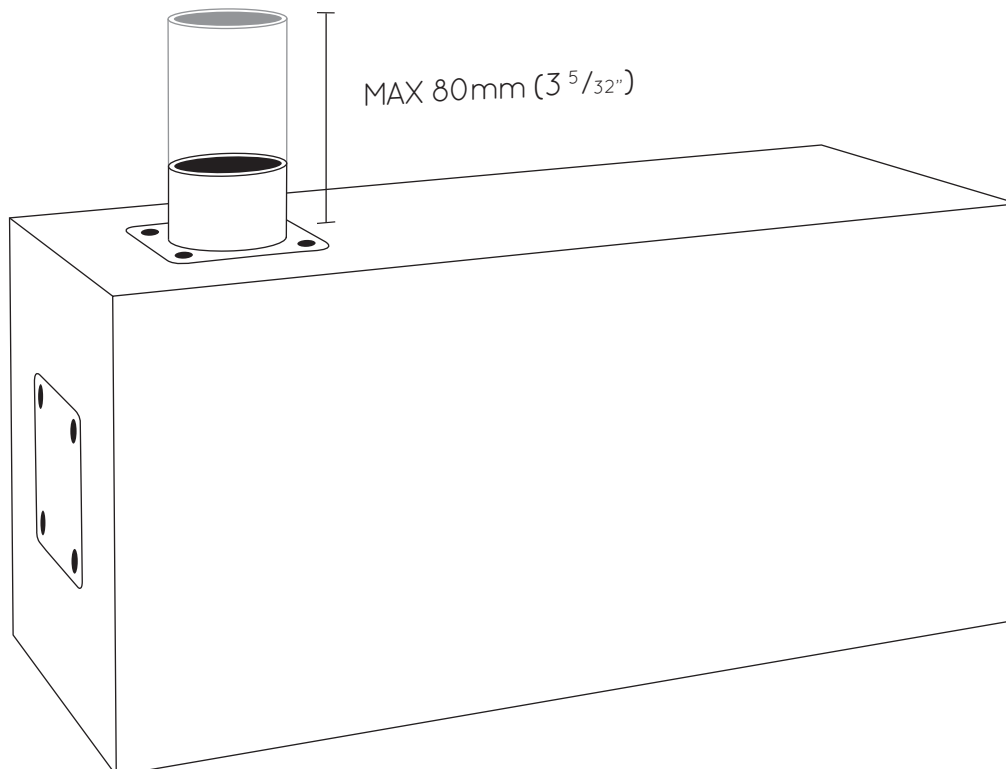
There are two optional positions where the port can be connected to the ALF40 cabinet. A steel plate (port plate) and a rubber o-ring provide an air tight seal around the port. A similar blanking plate is used to cover and seal the unused port hole.

To remove the port and blanking plates use a number 2 Pozi screwdriver to remove the four fixing screws. Then remove the plate from the cabinet taking care not to drop the o-ring through the port openings.

When adjusting the port length, loosen the screws along with the port plate and pull/push the port by gripping the inside surface. Ensure the o-ring is correctly positioned in its rebate before re-securing the port plate and make sure the port is absolutely firm. If it appears loose, check the o-ring has been seated correctly.

### Top Position

This port position can be useful if you need to stand the ALF40 on its end (connection terminal facing upward), or when locating it in a ceiling void, port firing downwards.

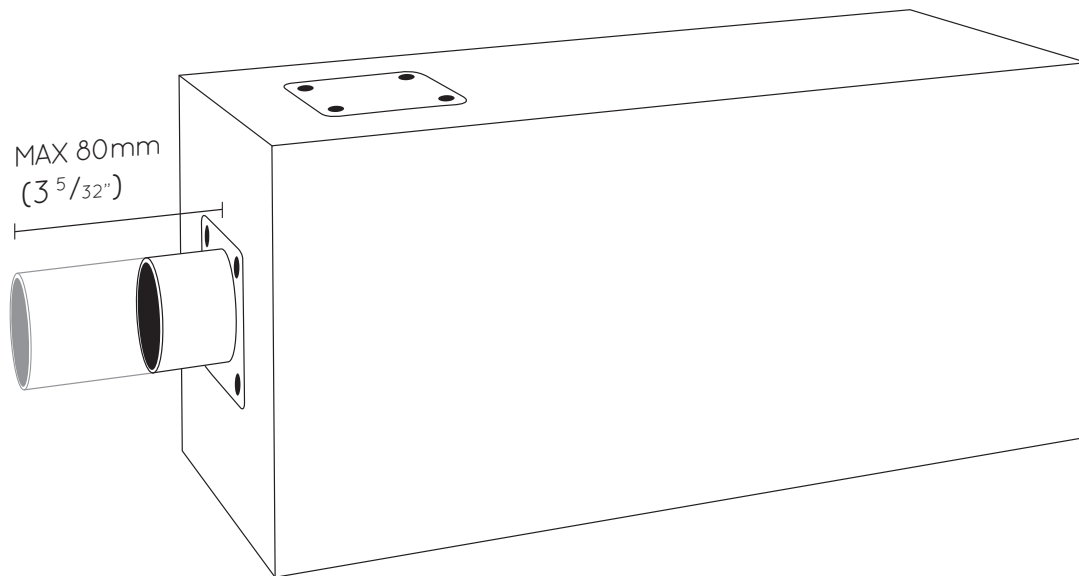


---

# Using the Adjustable Port System

## End Position

This port position can be useful when mounting the ALF40 within or underneath furniture or behind a kickboard under kitchen and bathroom cabinets.



### Important notes:

1. ALWAYS loosen the four screws in the port plate before adjusting the port.
2. The blanking plate MUST always be screwed down over the port opening that is not in use.
3. Be sure to tighten both the port plate and the blanking plate. Never over-tighten the screws.
4. Use ONLY the supplied screws to fix the port and blanking plates. Contact your dealer if spares are required.
5. Ensure the rubber o-ring is correctly in position around the port and sitting within the circular rebate.
6. To release the blanking plate from its position, it may be necessary to push it from behind from within the cabinet. This can be done via the other port opening once the port is removed.



DO NOT modify the length of the port by cutting it or extending it using additional tubing or flexible pipes.

Doing so will seriously compromise the acoustic performance of the product.

---

---

# Positioning the ALF40

## Free Standing

The ALF40 can be positioned anywhere within a room and in any orientation. A location near the corner of a room will give the most bass output, however it is important to allow the bass port to breathe. Do not place any solid objects closer than 50mm (2") directly in front of the port. Adhere the supplied rubber feet to the cabinet, this will protect the product from dirt and scratches when positioned on the floor.

## Fixing Brackets

Use the supplied brackets to secure the ALF40 to a solid structure. Use only the supplied, 13mm screws to fix the brackets to the cabinet. Never use longer screws as these may damage the unit's internal components. Ensure the brackets are not fixed over the port plate, blanking plate or connection terminal.

## Concealed Placement

The ALF40 can be placed within furniture, behind wall panelling or even within a ceiling cavity. Whatever structure you install the ALF40 inside, it is important to create a suitable opening for the port to protrude through allowing it to breathe into the listening room.

Use the brackets and screws provided to secure the ALF40 within the structure.

## In-Ceiling

The illustration on the next page shows how the brackets supplied can be used to fix the ALF40 to a ceiling joist.

Notice the port protrudes from the cabinet - this allows it to then protrude through a suitable hole cut in the plasterboard ceiling layer.

The supplied Port Trim may be placed over the port opening to improve its appearance, (this is detailed on the next page).

Alternatively a suitable lighting fixture bezel may be used in a similar way. The Port diameter dimension of 43mm is designed so it is the same dimension as a GU10 light bulb, this will help when fitting a lighting fixture bezel. Ensure any fixtures used are securely fitted to avoid audible vibrations.

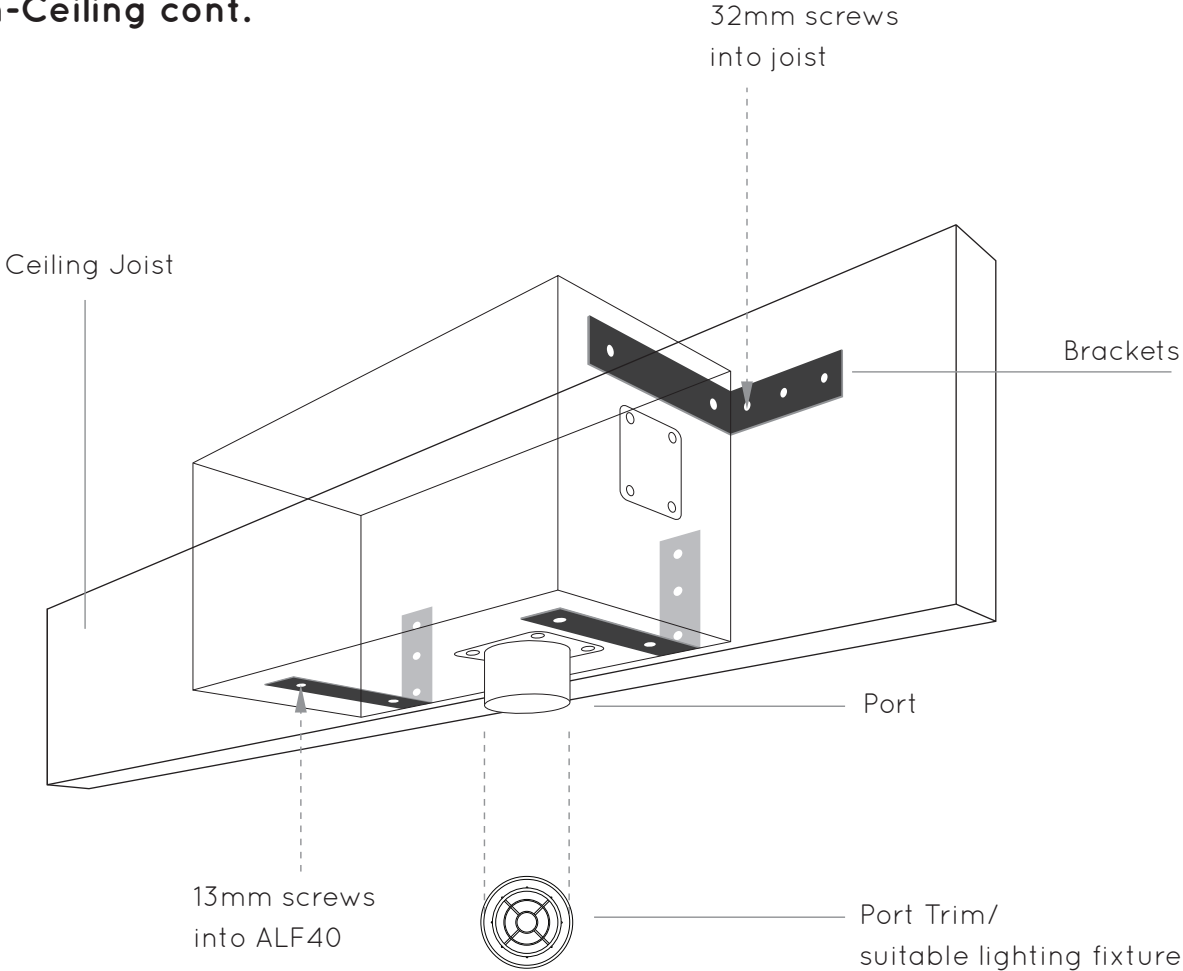
### Note:

When using a lighting fixture bezel, be sure not to position it as part of the lighting pattern as this will result in a dark patch within the room.

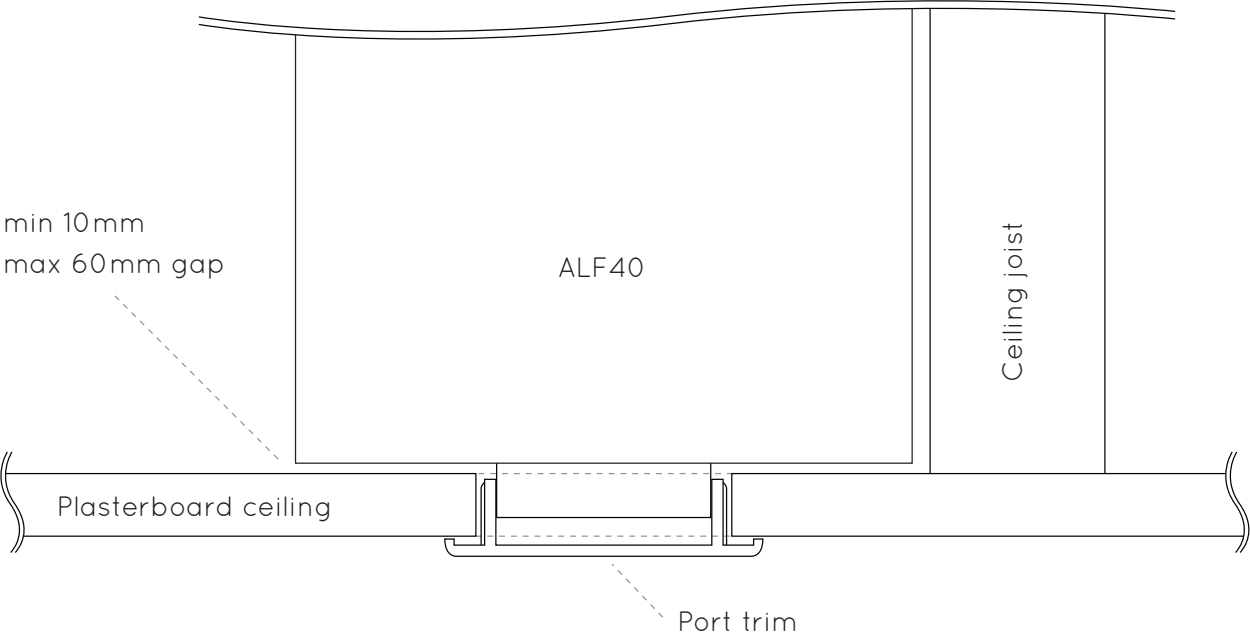
---

# Positioning the ALF40 (Diagram)

## In-Ceiling cont.

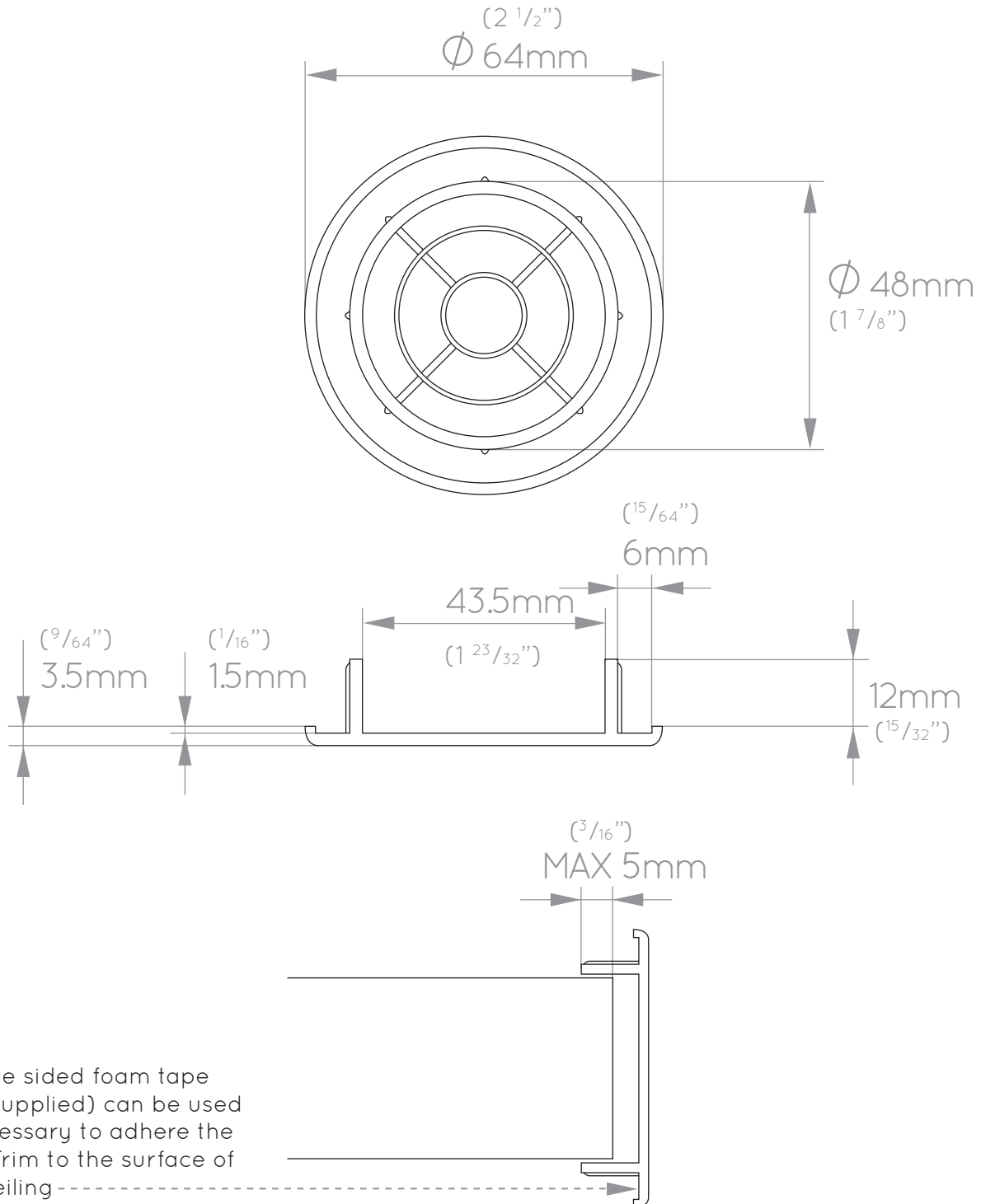


## Detail view



## Using the supplied Port Trim

The supplied Port Trim can be used to improve the appearance of the port when, for example, the ALF40 is installed behind a plasterboard ceiling. It is designed to fit up to 5mm over the end of the protruding port.





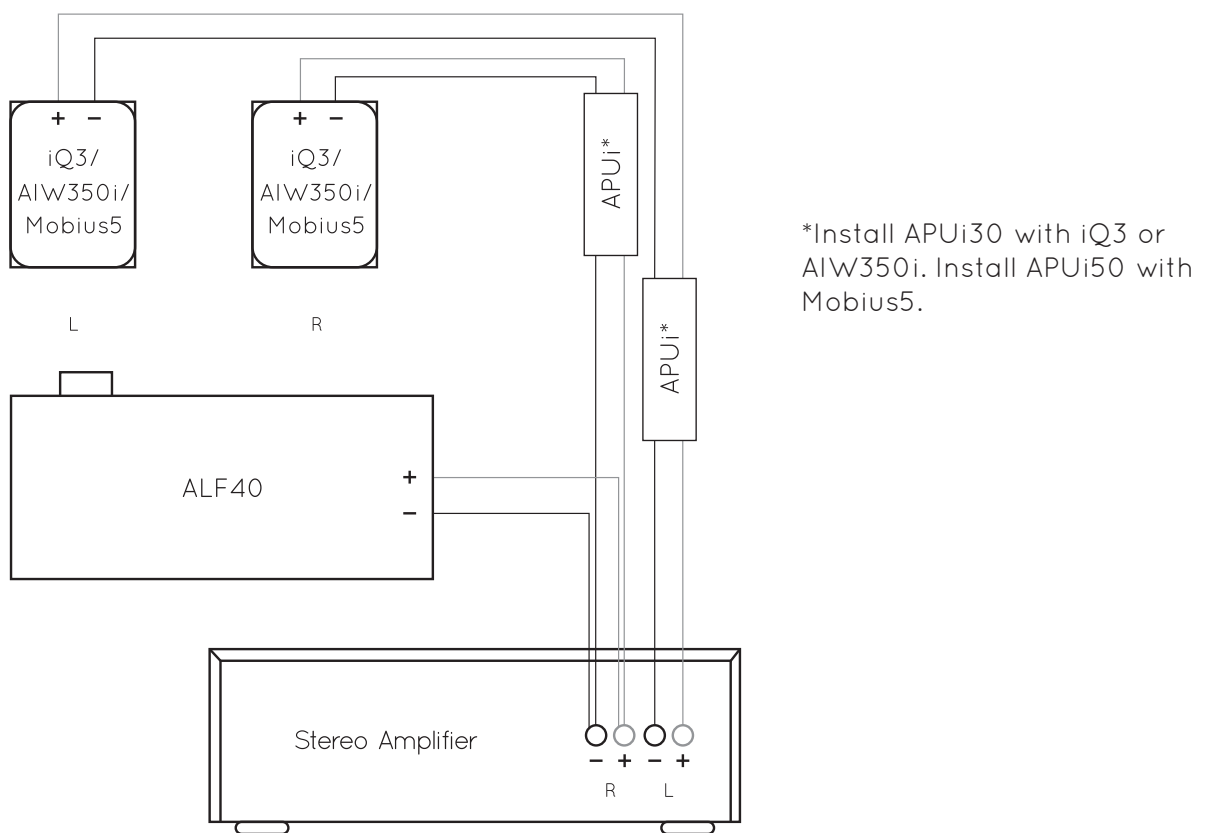
## Connection Options (Passive 2.1)

The ALF40 has been optimised to work with the Amina Evolution, Mobius and iQ series of Invisible speakers.

The following examples illustrate its use with these series of speakers, however the ALF40 can also be used to enhance other manufacturers speakers. The ALF40 is designed so it can be connected in parallel with Amina speakers.

Non Amina satellite speakers should be a minimum of 8 Ohms if wired in parallel with an ALF40.

### Passive Stereo 2.1 : iQ3 / AIW350i / Mobius5 pair + ALF40



**Note:** Amplifier must be 4 Ohm stable.

In this scenario, one of the amplifier channels (left or right) is used to drive the ALF40 and one of the Evolution or iQ speakers together in parallel. It is assumed bass frequencies are mixed in mono on most program material, however for orchestral music better performance will be obtained with the ALF40 connected to the left channel of the amplifier.

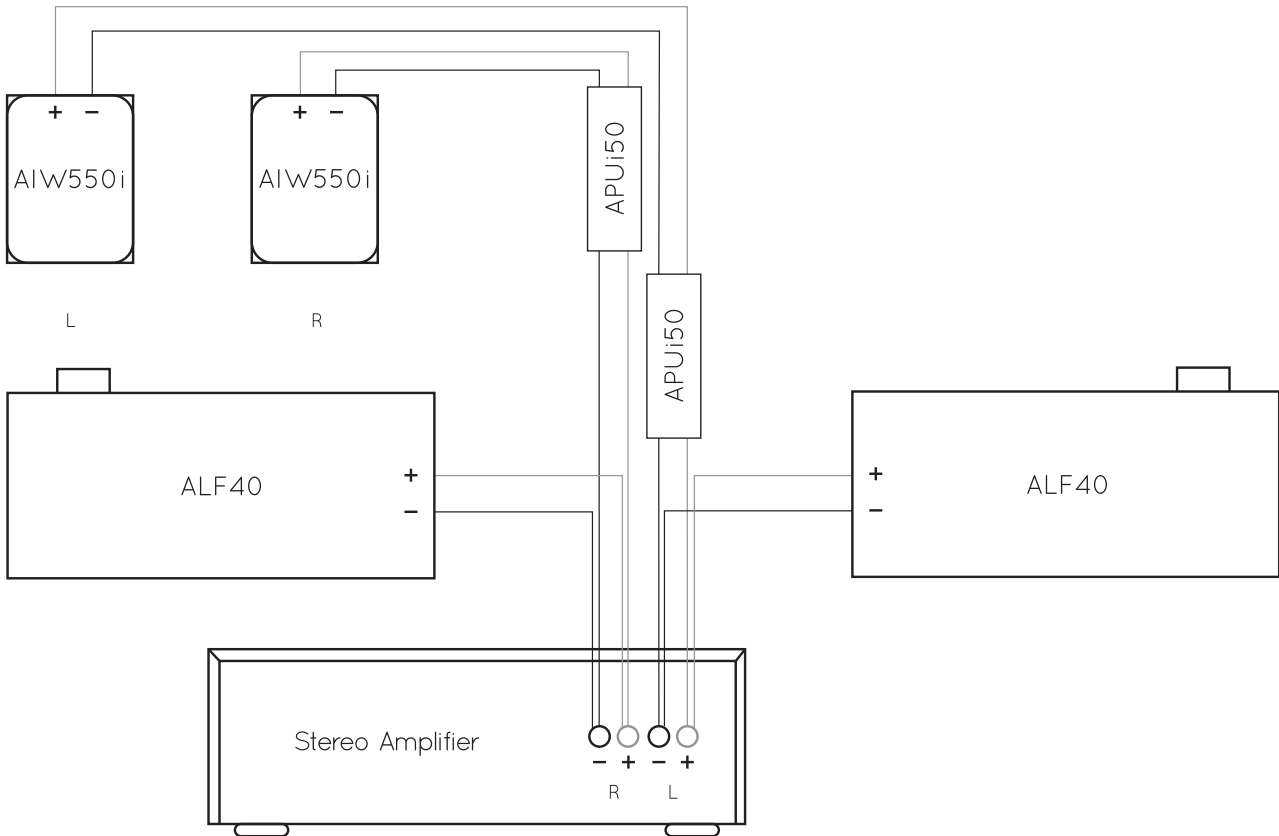
The output of an ALF40 in most situations will match a pair of AIW350i, a pair of Mobius5 speakers or a pair of iQ3 speakers.

**Note:**

You may need to adjust the amplifier's balance control to obtain an equal output from both speakers.

## Connection Options (Passive 2.2)

### Passive Stereo 2. 2: AIW550i pair + 2x ALF40



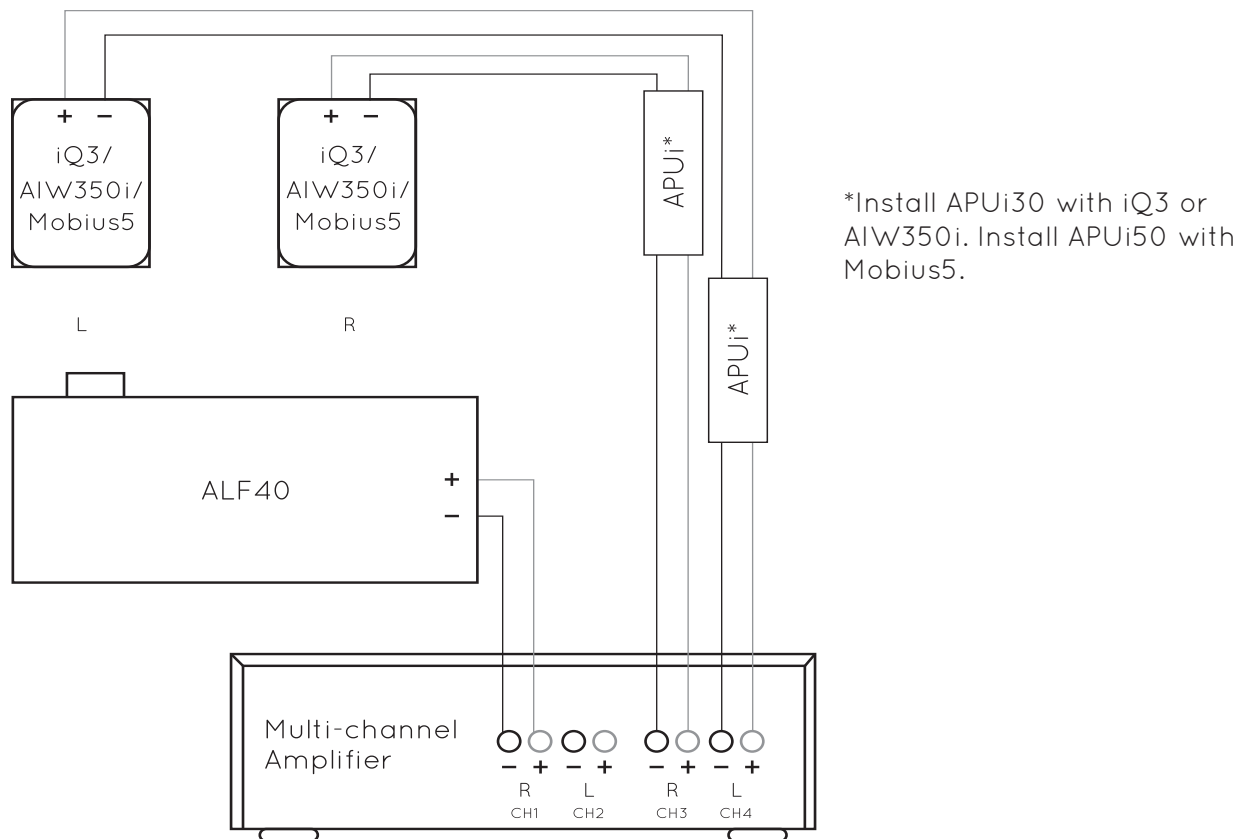
**Note:** Amplifier must be 4 Ohm stable.

For systems using a pair of AIW550i speakers, a pair of ALF40's will be necessary. In this scenario both channels of the stereo amplifier drive one ALF40 in parallel connection with an AIW550i.

This scenario will also apply to a situation where a pair of AIW350i, Mobius5 or iQ3 speakers are used in larger rooms or where more bass is required.

## Connection Options (Active 2.1)

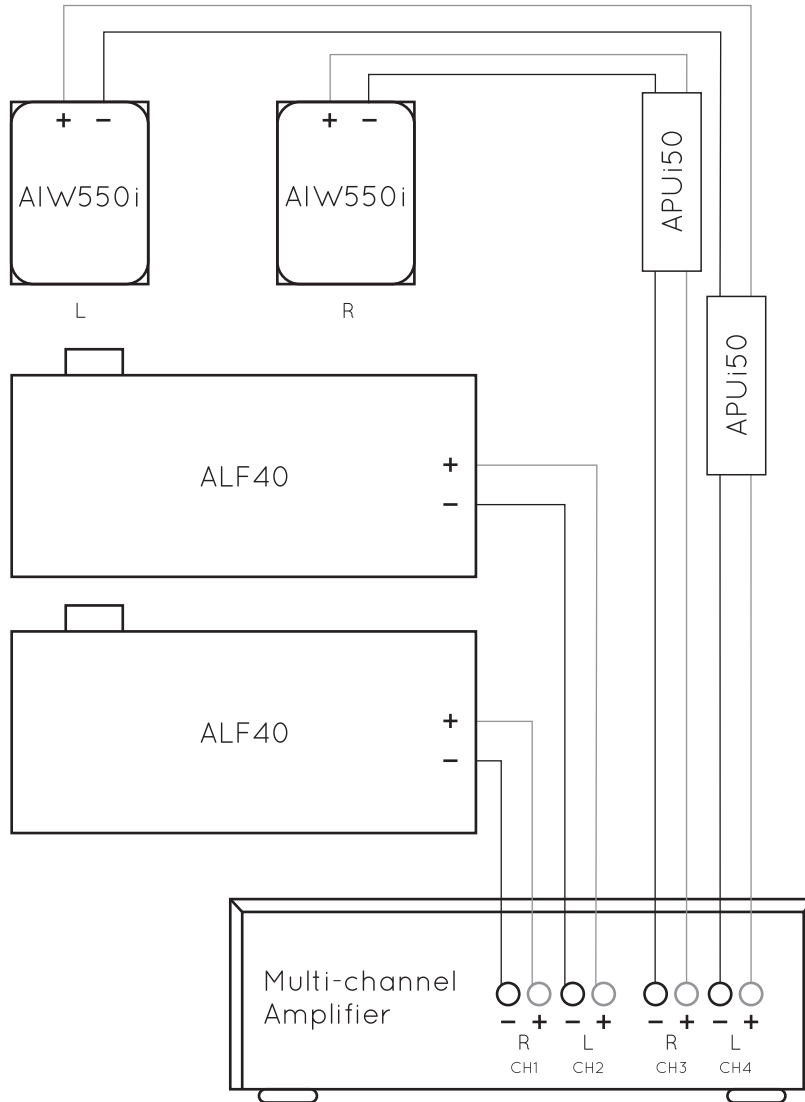
### Active Stereo 2.1: iQ3 / AIW350i/ Mobius5 pair + ALF40



By connecting a single ALF40 to its own amplifier channel, its output (relative to the iQ3/ Mobius5/ AIW350i pair) can be set optimally. In larger rooms care should be taken not to adjust the relative output of the ALF40 too high. This may result in the unit reaching its mechanical limits well before that of the accompanying Amina speakers. If this is the case, consider using two ALF40's (Active Stereo 2.2) or an ALF80 or ALF120.

## Connection Options (Active 2.2)

### Active Stereo 2. 2: AIW550i pair + 2x ALF40



For systems using a pair of AIW550i speakers, two ALF40's will be necessary. In this scenario the amplifier will need four independent channels.

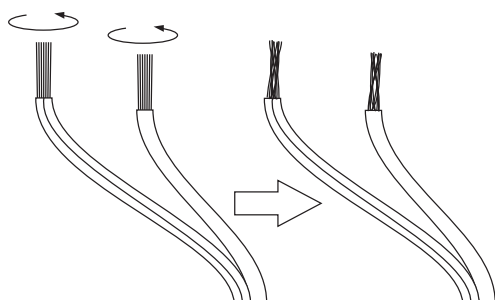
This setup will work equally well with a pair of AIW350i, Mobius5 or iQ3 speakers.

## Spring Terminals

The spring terminals will grip bare, twisted wire securely without the need to fit plugs or spade terminals.

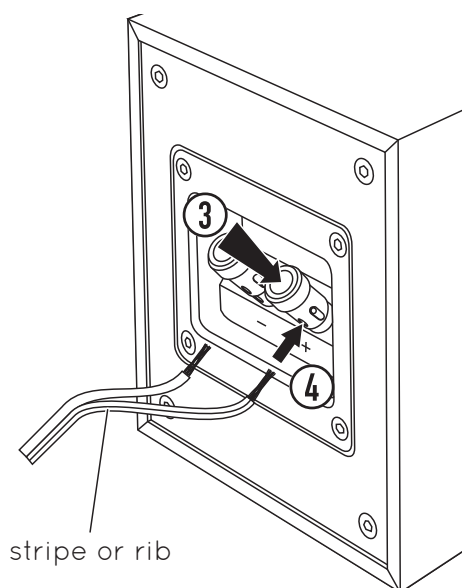
### To connect wires to the terminals

1. Strip approximately 15mm ( $\frac{3}{4}$ "") of insulation from the ends of the wires.
2. Twist the wire strands together.



3. Press the top of the terminal down against spring pressure.
4. Hold the top of the terminal down against spring pressure and pass the twisted wire through the hole in the terminal.

Make sure that the wire polarity is correct. Connect the wire marked with a stripe or rib to the positive terminal.



5. Release the top of the terminal.  
*The spring within the terminal will grip the wire.*

## Setup Tips

1. When setting up any of the above system scenarios, it is advised to experiment with connecting the ALF40 in reverse phase with respect to the Amina speakers.

Often the reverse-phase connection results in better integration and slightly higher sound pressure level through "cross-over" region.

Using pink noise can be a good way of judging the difference between the in-phase and reverse-phase connections.

2. When wiring the ALF40 in either the Active 2.1 or 2.2 setups shown previously, a maximum of two ALF40's may be connected in parallel to a single amplifier output as long as no other speaker panel is connected to the same output (amplifier must be 4 Ohm stable). This will help provide the correct low frequency sound pressure levels in large rooms without the need for additional amplifier channels.
3. Where there is more than one pair of Amina speakers in a room, decide which of the above scenarios is applicable to the system then multiply the number (e.g 2. 1) by the number of speaker pairs.

Example: a very large reception room requires four ALW350i speakers and the amplifier has provision for up to six independent amplifier channels. This could then be an Active 4. 2 system (2. 1x2 = 4. 2) or a passive 4. 4 system (2. 2x2 = 4. 4) depending on the amount of bass output required.

4. To avoid unwanted vibrations, ensure the ALF40 is fixed securely to a structure or, if free standing, the supplied rubber feet are used.

# Specifications

Dimensions	359 x 157 x 134mm (14 1/8 x 6 1/8 x 5 1/4")
Weight:	3.2kg (7lbs 1oz)
Design:	Ported, acoustic band-pass with built-in protection circuit
Compatibility:	Optimised for Amina AIW, Mobius5 and iQ series speakers (can also be used with other 8Ohm speakers)
Power handling:	30/60W (continuous/peak)
Nominal impedance:	8 Ohms (4 Ohms when used in passive configurations with the AIW, Mobius5 and iQ series speakers) 100V/70V external mount transformer option available
Frequency response:	65Hz - 155Hz (+/- 6dB), 18dB bandpass octave slope
Sensitivity:	88dB @ 1m/2.83Vrms*
Maximum short-term SPL/1m:	106dB**
Port location:	Front or end convertible + length adjustable
Port diameter I.D / O.D:	39mm (1 9/16") / 43mm (1 11/16")
Connection:	Spring-loaded post (bare wire)

\* Corrected nearfield measurement

\*\* Corrected nearfield port measurement. Assumes no in-room boundary loading which in some cases may increase SPL by as much as 6dB.

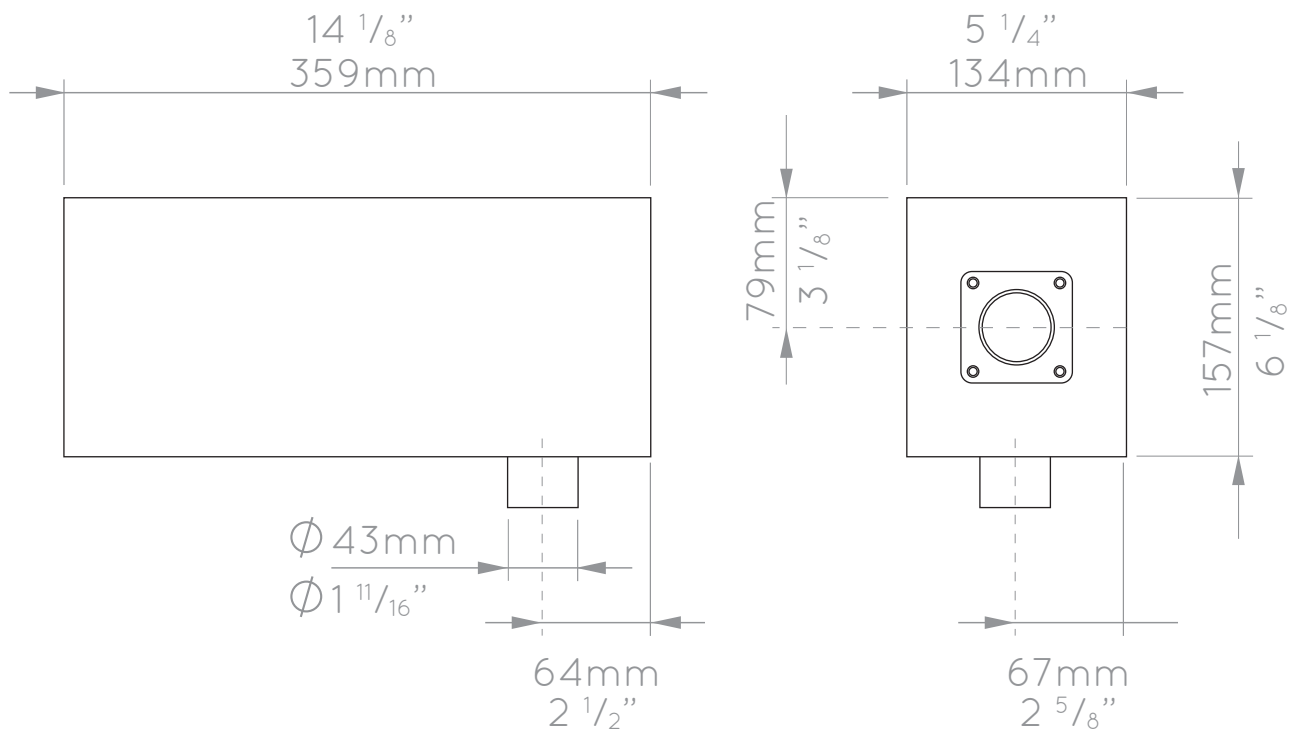
## Limited Warranty:

The ALF40 is designed to operate reliably for many years. Correctly installed and in accordance with these instructions, Amina warrants the ALF40 against defective materials and workmanship for a period of one year.



RoHS  
Compliant

# Dimensions



---

*Amina*®

---

THE INVISIBLE SPEAKER CO.

Amina Technologies Ltd  
Cirrus House, Glebe Road  
Huntingdon, Cambs, PE29 7DL England  
T: +44 1480 354390  
W: [www.aminasound.com](http://www.aminasound.com) / E: [inspired@aminasound.com](mailto:inspired@aminasound.com)  
Copyright 2017

ALF40 V2.1

---